

The UK No. 1 for CB

(as voted by the readers of Citizens Band Magazine)

POWER MICS

SPEAKERS

RF-AMPLIFIERS

SWITCHES

SWR METERS

MULTIMETERS

MOUNTS

ANTENNAS

TECH MANUALS

COMPONENTS

NI-CADS

POWER LEADS

ROGER BLEEPS

COAX CABLE

HAND HELDS

CONNECTORS

80ch. RIGS

MICROPHONES

Price List 2016




Knights

11 King Edward St
Kirton in Lindsey
Lincolnshire
DN21 4NF

www.kcb.co.uk

sales@kcb.co.uk

 (01652) 648378

OPEN

Mon - Sat
9:30-5:30

Sunday
10:30-4:30

Closed all day
Wednesday



Prices correct on 1/11/15. All prices subject to change. See website for latest prices.

Welcome to the largest selection of CB equipment in the UK

Welcome to our new 2016 pricelist, I believe it contains the largest range of CB equipment available anywhere in the UK. I am pleased to say that over 95% of the prices remain unchanged, with increases kept to a minimum (& just a few prices reduced!). If you know anyone else who would like a copy please just ask and we will be pleased to send them one. For the most up to date prices and details on any new items please check out our website at: www.kcb.co.uk/shop2

About Us:

We have been supplying CB equipment since 1981 and have traded in the same town for over 50 years. Our large retail shop is open 6 days a week and you are welcome to visit us at any time and inspect any of our products. **No appointment is necessary here !!**

We offer a friendly and professional service. We are small enough to care about our customers and offer a personal service, yet large enough to buy direct from all the major suppliers of CB equipment to give you both choice and value.

To Our Regulars:

Thank you for your past custom, we do appreciate it. We hope to be here for many more years to come and hope to be able to help you in the future.

To Our New Customers:

Thank you for requesting our price list. I hope you find something of interest in it.

We hope to offer you a fast & efficient service, and if you have any questions about any of our products or services we are only at the other end of the phone. *Our advise is always free.*

Our Service to You:

I believe that we can offer you the best overall service in the UK.

Our massive stocks mean that you are not waiting while goods are ordered.

Our own on-site service department offers full back-up on the products we sell, plus pre-sale testing of all items before despatch (wherever possible).

Our large retail shop is open 6 days a week, where you can examine, and we are pleased to demonstrate, any product.

We do not claim to always be the cheapest, but I believe we do offer the best **value-for-money** service. Anyone can sell things cheap, but this is usually at the expense of a poor back-up service or slow delivery. There are a few mail-order suppliers around the country working from 'home', who may offer goods cheaper. But beware - where is their backup, what happens if they stop trading overnight, do they actually have items in stock (*you can see our shop crammed with stock*), and will they still be around when you need them ??

Price Match:

We will do our best to match the price of any other UK retailer of CB equipment.

If you see any item advertised cheaper elsewhere we will **try** to match that price.

Simply tell us where you have seen it advertised and at what price, and so long as they are a genuine retailer and have the item in stock then we will try to match the price.

We do **not** match the price of internet only suppliers, only those of other established **shops**.

OnLine Shop:

We were pleased to be one of the first UK CB retailers to provide a website for our customers. In 2004 we expanded the website further with full online shopping facilities.

Pictures & specifications for most of the items listed in this price list can now be found on our website, and you can place an order 24 hours a day.

CB News:

For over 20 years we produced a free quarterly newsletter that was sent direct to our mail-order customers. Unfortunately the ever increasing cost of postage and printing plus the increasing use of the internet meant that in 2008 we finally stopped producing this.

It is now more practical to update any news and special offers on the internet, and if you would like to be kept up to date with what's happening please follow us on twitter or facebook - we hope to make more use of these in 2016.

Doug Knights

See back page for our ordering guide....

RIGS

MOBILE RIGS

Albrecht AE-6690 (with CTCSS)	109.00 T69
Albrecht AE-6891 (detachable front)	129.50 T68
Albrecht AE-5890 (multistandard SSB)	199.00 T589
Cobra 19 DX IV EU (multi band)	59.50 T19
Cobra 29-LX-EU (top-of-range)	119.50 T29
Cobra 75-EU (one-hander, hide-away)	99.50 T75
CRT S-Mini (compact. LED display)	49.50 TMIN
CRT ONE (worlds smallest CB)	39.95 CT1
CRT MIKE (one-hander, hide-away)	79.50 CTM
Midland 210DS (digital squelch)	74.95 T210
Midland 78-multi (multi band for EU)	89.50 T17
Midland 48-multi (multi band for EU)	109.00 T18
Midland 248 Excel multi	119.00 248E
mTech Legend 1 (like Teddy, Uniden)	59.50 MT1
mTech Legend 2 (like Harry 2, Uniden)	79.50 MT2
mTech Legend 3 (made by Uniden)	99.00 MT3
President Teddy (quality budget radio)	69.50 TED
President Truman (compact)	99.50 TRU
President Harry III (LCD display)	145.00 T26
President Walker (traditional style)	159.00 T25
President Walker Chrome	175.00 T25c
President Thomas (very compact)	179.00 TOM
President William (controls in mic)	229.00 TWL
President JFK-2 (large multi-standard)	229.00 JFK
President Johnson II (front speaker)	199.00 T27
President Jackson II (multi-mode)	229.00 T28
Preisent Johnson II Chrome	249.00 T28s
President Grant 2 (multistandard SSB)	199.00 PG2
President Grant 2 Premium (multimode)	219.00 PG2p
Thunderpole T-800 (compact)	54.50 TP8
Thunderpole T-1000 (12/24 volt)	69.50 TP1
tti TCB-550 (compact multi band)	54.50 T65
tti TCB-560 (dual voltage, 12/24V)	59.50 T56
tti TCB-565 (12/24V with s-meter)	69.50 T565
tti TCB-771 (multi-band, dual voltage)	69.50 T71
tti TCB-881 (multi-band, dual voltage)	79.50 T81
TCB-900 (shallowest radio available)	89.50 T90
tti TCB-1100 (din mount front speaker)	109.00 TT1
tti R-2000 (hideaway, remote display)	129.00 T20

HAND HELDS

Midland 42 (multi-band, car adapter)	109.00 T77
Lafayette Urano (similar to Randy)	99.50 TLU
President Randy-2 (portable or mobile)	139.00 RD1
Albrecht AE-2290 SSB handheld	199.00 T229

10m AMATEUR (not CB)

Alinco DR-135DX (pc programmable)	159.00 AT6
President Lincoln 2 (version 3)	249.00 AT8
CRT SS-6900N (pc programmable)	149.00 AT1
CRT SS-7900 (pc programmable)	149.00 AT7
CRT SS-9900 (pc programmable)	159.00 AT9
Intek HR-5500 (pc programmable)	159.00 AT2
Jopix SS-3900 (chrome front)	149.00 AT5

HAND-HELD ACCESSORIES

REPLACEMENT ANTENNAS

Rubber-Duck (Push-on)	6.95 X18
Rubber-Duck (Side screw)	6.95 X19
Rubber-Duck (BNC Fitting)	11.95 HH6
Rubber-Duck (Maxcom 7E etc.)	6.95 X18m
Midland 42 Original R/Duck (BNC)	11.95 T77r
Intek H-520 Original R/Duck	14.95 T55r
President Randy R/Duck (TNC)	14.95 RDR
TNC long flexi antenna (53cm long)	18.95 HHL1
BNC long flexi antenna (53cm long)	18.95 HHL2
Midland 77-9145 Telescopic	10.95 HH5
Harvard/Moonraker Rep Telescopic	9.95 Q87

ANTENNA SOCKET ADAPTER

PL259 to 3.5mm Adapter	1.95 C14
PL259 to BNC	1.95 K14
PL259 to TNC	1.95 K09
BNC to TNC	1.95 K07
Midland 42 car adapter (pwr + ant)	19.95 MCA
AE-2990 car adapter (pwr + ant)	26.95 ACA
Intek M-550 car adapter (pwr + ant)	17.95 T55a
Lafayette Urano Battery Eliminator	22.50 LUE

CARRY CASES

Midland 42	9.95 T77c
Midland Alan-95	6.95 T95c
President Randy II	19.95 RDc
Intek H-520	8.95 T52c
Skiptech HS-2000	9.95 T29c
Albrecht / Rexon (2m / 70cm)	6.95 ACC
Team Maxi-3000	7.95 T73c

BATTERY PACKS

<i>Maycom - sold out, use Midland batt packs</i>	
Maycom 12v NiMh sealed battery	26.95 T40n
President Randy Lilon Battery	34.95 RDB
Midland 42 battery pack (6 cell)	9.95 T77b
Midland 42 battery pack (8 cell)	10.95 T77r
AE-2990 battery pack (9 cell)	12.95 99bp
Albrecht / Rexon (6 cell)	7.95 ABP
Albrecht / Rexon 7.2v Nicad pack	19.95 ANP
Hand-Held Charger	6.95 X21
AE-2990 Stand-in Charger	39.95 229C
Lafayette Urano 12v Cig Lead	9.95 LUC

SPEAKER MICS

DM-100 (various wiring available)	13.95 M100
Heavy Duty speaker-mic LGM-82	27.95 MH4
Heavy Duty Throat mic LGR-32	29.95 TM5
Team HS-201 Headset (not vox)	17.95 M201
HEPM-600 Earphone with boom mic	16.95 HH21
Midland T05 throat mic (for vox radios)	14.95 TM1
Midland X07 throat mic (with ptt)	22.95 TM2
Covert microphone/earpiece (twin ptt)	27.95 HH22
Watson Covert earpiece/mic	19.95 HH23
LGR-72 Heavy Duty Covert earpiece	27.95 HH72
Acoustic tube earpiece (no mic) EP-5	12.95 HH24
Motorbike mic system - see microphones section	

MOBILE CB ANTENNAS

THUNDERPOLE ANTENNAS

Voyager (Modulator original copy)	14.95	A30
Atom (93cm mini 'bullwhip')	12.95	A79
TZ27 (same as Thorobred Z27)	12.95	A32
TT27 (same as Thorobred T27, app 3ft)	10.95	A33
FM27p (1/2 Breed Copy)	8.95	A31
Orbitor (the original "Springer" antenna)	13.95	AEO
Orbitor HD (heavy duty version)	15.95	A51
Orbitor SS (100% stainless steel)	26.95	OSS
Trucker-80 (mini Orbitor, approx 3ft)	13.95	A29
Trucker-80 HD (heavy duty version)	15.95	A55
Trucker-80 HD centre-load	18.95	A56
Trucker-80 (complete on mag mount)	24.95	A57
Trucker SS (100% stainless steel)	24.95	TSS
Super Nova (twin load)	19.95	TSN
Super-Flexi-27 fibre-glass 2ft	10.95	A3
Super-Flexi-27 fibre-glass 3ft	11.95	A34
Super-Flexi-27 fibre-glass 4ft	12.95	A35
ThunderStick "Firestik" copy 2ft	15.95	A95
ThunderStick "Firestik" copy 3ft	16.95	A95
ThunderStick "Firestik" copy 4ft	17.95	A96
ThunderStick "Firestik" copy 7ft	24.95	A97
Volvo fitting antenna (centre load)	15.95	ATV
Red Rocket (Wilson 2000 Trucker copy)	27.95	ARR
Triple-Load (like Solarcon Tri-load)	17.95	A68
Red Devil (Scarlet Warrior copy)	17.95	A69

SIRIO ANTENNAS

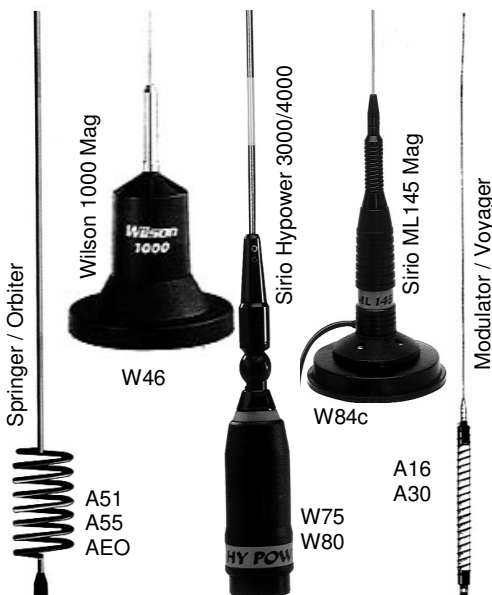
DV-27s (complete/splittable/3/8)	19.95	A42
DV-27s (complete, not splittable)	12.95	A42a
DV-27 Whip Only (3/8 base)	12.95	A47
Taifun 27 (50cm "bee-sting" antenna)	21.95	W76
Hy-Power 3000 (SO239 fitting)	34.95	W80
Hy-Power 4000 (SO239 fitting)	36.95	W75
Hy-Power 4000 c/w Sirio Mag-145	59.95	W75m
Mega-Watt 3000 (SO239 fitting)	34.95	MW3
Mega-Watt 4000 (SO239 fitting)	36.95	MW4
Performer P-600 (with mount + coax)	34.95	SP6c
Performer P-800 (with mount + coax)	36.95	SP8c
Performer P-1000 (with mount + coax)	37.95	SP1c
Performer P-600-PL (SO239 fitting)	29.95	SP6
Performer P-800-PL (SO239 fitting)	31.95	SP8
Performer P-1000-PL (SO239 fitting)	32.95	SP1
Performer P-5000 (max 5000 Watts)	46.95	SP5
Performer P-5000 Trucker (3/8 fitting)	46.95	SP5t
ML-145 (Avanti Moonraker style)	19.95	W84
ML-145-Mag (complete with mag mount)	34.95	W84c
Titanium (like ML-145 but with swivel)	19.95	AST
Turbo 1000 (SO239, 1.15m)	31.95	ST1
Turbo 2000 (SO239, 1.45m)	32.95	ST2
Turbo 3000 (SO239, 1.71m)	34.95	ST3
Turbo 5000 (SO239, 1.96m)	43.95	ST5
Super-9 (Mythos 9000)	29.95	W22
Super-900 (Mythos 900s)	27.95	W23
GL-27 No-groundplane Mirror Mount	39.95	GL27
Omega 27 ("Volvo" M6 fitting)	21.95	OG27
Snake M6 (112cm M6 "Volvo" fitting)	21.95	SNK
Mini Snake (65cm M6 "Volvo" fitting)	17.95	MSK

WILSON ANTENNAS

Wilson "Little Wil" Mag Mount	34.95	W42
Wilson 1000 Fixed Mount	69.50	W44
Wilson 1000 Trunk Mount	69.50	W45
Wilson 1000 Mag Mount	79.50	W46
Wilson 2000 Trucker (3/8 Centre-load)	54.50	W47
Wilson 5000 Roof Mount	79.50	A37
Wilson 5000 Mag Mount	99.50	A38
Wilson "flexi" 3ft fibreglass	23.95	WF3
Wilson "flexi" 4ft fibreglass	25.95	WF4
Wilson 3/8 indoor mini ground-plane	19.95	W17
Wilson 3/8 balcony fit ground-plane	16.95	W18
Wilson 1000 Replacement Coil	29.95	WC1
Wilson 1000/5000 Replacement Whip	12.95	Y37
Wilson "short-load" replacement whip	24.95	WSL

OTHER ANTENNAS

9ft 1/4 wave 2pc steel whip	14.95	A67
Astatic 12" Rubber Duck + Mag Mount	24.95	A300
Astatic 36" Mag Mount Antenna	16.95	AA36
Cobra HG A1000 Mini Mag Antenna	14.95	ACM
CB-145 Mag (Sirio ML-145 copy)	24.95	MTT
CTE "Cellular" 24" (complete)	9.95	A06
Sirtel Gamma-1 (DX27 style, complete)	34.95	AG1
Sigma Flexi-12 (3ft c/load with spring)	9.95	W37
Valor 12" Dial-A-Match (black fibreglass)	9.95	A97
W-1400 Mini Mag Mount antenna	12.95	W04
Wintenna Slimline (26" Curly Whip)	7.95	W63
Wintenna Royal Court (f/glass, tuneable)	11.95	W64
Maas KM-500 ("Little Will" mag copy)	19.95	WM2
Modulator Super T/Bolt (centre load)	11.95	A21



MOBILE CB ANTENNAS

K40 AMERICAN ANTENNAS

K40 (Original, Trunk/Roof Mount)	69.50 W14
K40 Replacement Coil	24.95 W14c
K40 Replacement base & coax	37.50 W14b
K40 Mag mount (base only, no coax)	24.95 B14
K40 Trucker TR40 Plus (centre-load)	59.50 TR40
K40 BCMAX (open coil, 20kW max!!)	79.50 K40X
K40 Weather Cap (for original K40)	3.95 KWC

TWIN TRUCKERS

Thunderpole Trucker-80 Twins	32.95 T8T
Valor 36" Black-Magic (fibreglass)	29.95 W82
Co-Phase Harness (PL259 all ends)	10.95 L45
Zetagi AX-2 Dual Antenna Coupler	18.95 AX2

OTHER ANTENNAS

SOLARCON (ANTRON) ANTENNAS

Power-Probe 36" Fibreglass	9.95 A07
TRX1011B 50" "Half Breed" style	11.95 A06
24" Dial-a-Match	11.95 A24
24" "Cellular style" Dial-a-Match	12.95 A23
36" Dial-a-Match	12.95 A25
43" Dial-a-Match	13.95 A78
24" Dial-a-Match with Mag Mount	20.95 A24m
43" Dial-a-Match with Mag Mount	22.95 A78m
Tri-Load (4ft fibreglass)	15.95 A68
"Ground-Zero" no-ground-plane (3/8)	29.95 WGZ
Single Trucker (complete mirror mt, 2ft)	14.95 SST
Twin Trucker (36" Prowler f/glass)	29.95 STT

MARINE CB ANTENNAS (27MHz)

Sirio Mariner 27-S2 (complete)	59.50 W74
--------------------------------	-----------

MARINE BAND ANTENNAS

Sirio Mariner 160-S2 (160MHz)	54.50 W74m
-------------------------------	------------

TAXI / PMR

1/4 wave 3/8 thread whip	3.95 TX1
5/8 centre-load 3/8 (145-175MHz)	9.95 TX4
Micro Mag Mount (BNC or PL259)	11.95 TX9
Small Mag Mount (complete)	13.95 TX6
Small Mag Mount (with rubber boot)	14.95 TX7
136-174MHz mag mount	16.95 TX10
5/8 wave Whip (3/8, 164-174MHz)	9.95 TX3
Lo Band Antenna (3/8, 70-86MHz)	9.95 TX5
Sirio GP3E Base Ant (135-175MHz)	37.50 GP3

Large range of **Panorama PMR** antenna available to order - prices on request.

Most of the mobile antennas come without any mount. You can select from a variety of mounts: body, magnetic, gutter, mirror etc.

The 2 common "types" are shown here:



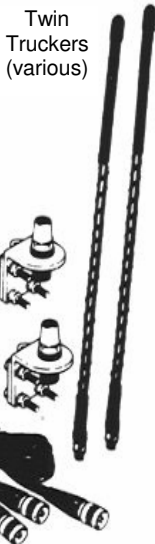
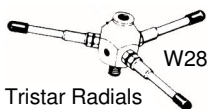
ANTENNA ACCESSORIES

Moonraker Ringo Loop (last few)	2.50 W25
Tristar Radial Kit (3/8)	8.95 W28
Grub Screws (fits most makes)	.25 Y36
Grub Screws for Wilson Antennas	.95 WGS
Whip "tips" (black plastic)	.15 Y36t
Allan Key (fits most)	.20 Y36a
Allan Key for Wilson/K40 Antennas	.95 WAK
3/8 Whip Stud (takes standard whip)	1.95 WST

REPLACEMENT WHIPS

Universal 52" Parallel Whip	2.95 Y32
Universal 52" Tapered Whip	5.95 Y33
Coloured tapered	5.95 Y33b
Bullwhip (thicker)	2.95 Y91
K40 (original)	10.95 Y35
Wilson 1000	12.95 Y37
Wilson Trucker	9.95 Y37a
Wilson Little Wil	4.95 Y37w
Wilson "short-load" (c/load whip)	24.95 WSL
Sirio ML-145	9.95 W84w
Sirio Hy-Power 3000	14.95 Y34s
Sirio Hy-Power 4000	14.95 Y34t
Sirio Performer P-5000	14.95 SP5w

We have whips suitable for many other antennas, please ask.

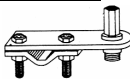
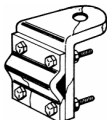


MOBILE MOUNTS & BASES


BODY MOUNTS etc.

3/8 DV Base (New Style)	4.50 B01
3/8 DV Base (Old Style)	3.95 B01a
DV Base (swivel type) (New Style)	4.50 B02
3/8 PL259 Stud Mount (large washer)	3.50 B05
3/8 PL259 Stud Mount (narrow)	2.50 B06
3/8 PL259 Stud Mount (narrow, H/D)	2.95 B06a
"Chrome" super stud mount (h/duty)	4.95 B25
Snail Mount (wafer type)	2.50 B07
3/8 Heavy duty "beehive" mount (SO239)	6.95 B87b
SO239 "beehive" mount (SO239)	6.95 RFS
SO239 DV-Base (SO239 top) (Sirio)	5.95 B04
SO239 mount (coax solders direct)	6.95 B80
SO239 Mount With Coax & Plug	9.95 B77
Quick Release Bayonet Adapter (3/8)	3.95 B60
Swivel / Angle Adapter (3/8)	4.50 B69
Fold-Over Adapter 3/8 (pull & drop)	3.95 BFO
Snail Mount Kit With Coax+Plug	5.95 B83
K40 3/8 Adapter (converts K40 Mount)	6.95 B56
"Volvo" Adapter (converts to 3/8)	1.50 K20
PSM-1 Side Mount (3/8 for vehicle side)	4.95 B70
ditto with coax & plug	8.95 B70c

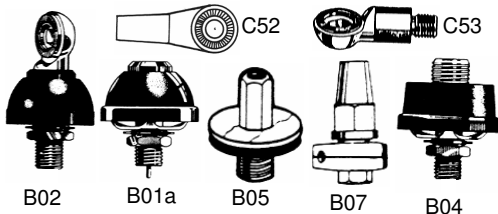
MIRROR MOUNTS

Horizontal Bar (no stud)	3.95 B35	
ditto With 3/8 stud	5.95 B36	
ditto With Coax & Plug	7.95 B48	
2-Way Mirror Mount	4.95 B37	
ditto With 3/8 stud	6.95 B38	
ditto With Coax & Plug	8.95 B38c	
Adjustable Mount (no stud)	5.95 B54	
Adjustable with coax & plug	10.95 B54c	
Adjustable SO239 Mirror-mount kit	14.95 B45	
M/mt kit u-bolt for large mirrors (inc coax)	9.95 B49a	
ditto with ground plane (for f/glass)	17.95 B49b	
Mirror Mount with Ground-Plane + coax	16.95 B47	

HATCHBACK & BOOT MOUNTS

Boot Mount (black metal)	6.95 B19	
ditto with Coax & Plug	9.95 B19a	
Thunderpole Original Hatch Mount	12.95 THM	
ditto with Coax & Plug	16.95 THK	
President LS-11CPL SO239 Boot Mt.	29.95 PBM	
Firestik Boot Mount Kit	12.95 B96	
Adjustable Hatchback Mount	7.95 B18	
ditto with Coax & Plug	11.95 B82	

See "Amateur" page for SO239 hatch mounts



MAGNETIC MOUNTS

Mini Mag (3 1/2") with rubber boot	8.95 B08b
Large Black Mag Mount (5", 5m coax)	13.95 BSM
Turbo Mag (7") with rubber boot	13.95 B12b
Turbo Mag (7") with rubber pad	12.95 B12
SO239 Turbo Mag (7")	14.95 B12s
Superstar BM145 SO239 Mag	13.95 B145
Triple-mag (3 x 5" mags) (3/8 fitting)	37.95 B50
Triple-mag (3 x 5" mags) (SO239)	37.95 B51
K40 Mag Base (for K40 only, not 3/8)	24.95 B14
Wilson 1000 Rep. Mag	39.95 B17b
Sirio Mag-125 3/8 / 5" / boot	23.95 B76
Sirio Mag-125 SO239 / 5" / boot	23.95 B76p
Sirio Mag-145 3/8 / 6 1/4" / boot	26.95 B16
Sirio Mag-145 SO239 / 6 1/4" / boot	26.95 B16p
Sirio SO239 \ 3/8 Adpt (fits SO239 mag)	6.95 C88s
SO239 \ 3/8 Adpt (fits SO239 mag)	4.95 C88
Small Rubber Boot	1.75 B71
Large Rubber Boot	2.45 B72
Sirio 125/145 replacement rubber boot	2.95 B72b
Replacement Lead/Stud (3/8, moulded)	5.95 B75
Replacement Lead/Stud (SO239)	6.50 B75s

GUTTER MOUNTS

Black Gutter Mount	4.95 B26
ditto Complete with 3/8 Mount & Coax	9.95 B30
SO239 Gutter Mount Kit	15.95 B31
CTE Gutter Mount with sucker	3.95 B28
CTE Steel Adjustable Angle	8.95 B93

SPRINGS (3/8)

	Standard	4.50 B65
	Heavy Duty	4.95 B66
	Barrel Spring	14.95 BBS

More SO239 fitting mounts are listed on the Amateur Antennas page.

ANTENNA SWITCHES

Zetagi V2 (2-way 500W)	14.95 X04
Zetagi V3 (3-way 1000W)	29.95 X05
Zetagi V4 (4-way 500W)	22.95 X06
CTE K-422 (2-way 250W)	9.95 X422
CTE 27/112 (2-way 1000W)	10.95 X112
RMS ES-2 (2-way, Zetagi V2 copy)	10.95 ES2
Maas KAS-4 (4 way 250W)	12.95 X02
CS-201 (2-way, heavy cast case)	16.95 X201
CX-201N (as above but N-Type)	19.95 X202
CO-201-P (2-way, SO239)	26.95 CX2
CO-201-N (2-way, N-Type)	36.95 CX2n
CO-301-P (3-way, SO239)	39.95 CX3
CO-301-N (3-way, N-Type)	36.95 CX3n
Zetagi Automatic Switch (2-way)	39.95 SW2

CB BASE ANTENNAS

SIRIO ANTENNAS

1/2 Wave (better quality)	47.50 H30
5/8 Wave (3 x 1.3m ground planes)	49.50 H31
Tornado 27 5/8	69.50 HST
Vector 4000 (Sigma-4 copy)	97.50 H34
Gainmaster (new fibreglass antenna)	129.00 SGM
Gainmaster replacement sections each	12.50 GMS
Starduster M-400 (new model)	49.50 H35
Top-One (Avanti Astro Plane copy)	89.50 STO
827 (strong construction)	95.00 H82
827 Anti-Vibration Ring (stops whistle)	10.95 H82r
827 replacement ground-planes (each)	4.50 H82g
827 replacement telescopic "tubes"	24.95 H82t
827 replacement 2nd section	9.95 H82b
Signal Keeper (outdoor/loft)	39.95 H71
Boomerang 27A (approx. 9ft)	34.50 H36
Mini Boomerang 27W (fibreglass)	39.95 H40

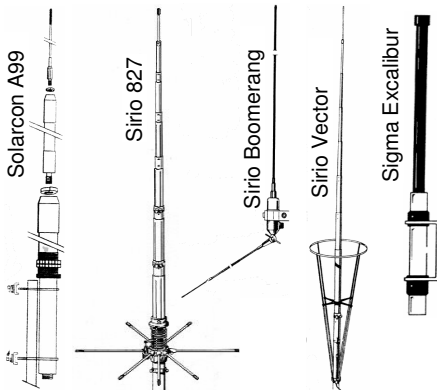
THUNDERPOLE / SCORPION

Basic 1/2 Wave	28.95 H91
Higain 1/2 Wave (small ground-planes)	32.95 H92
Basic 5/8 Wave	30.95 H93
Higain 5/8 Wave (small ground-planes)	34.95 H94
Excalibur / Bazooka (black 3ft)	16.95 H96
Centre-fed dipole (9ft + 9ft)	22.95 HCD

The above antennas are sold under various brand names.
We supply whichever brand is in stock at time of ordering.

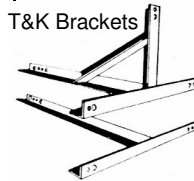
FIBREGLASS BASE ANTENNAS

Solarcon A99 (Antron-99) original	67.50 H59
Solarcon A99 Ground-Plane Kit	42.50 H60
Solarcon Imax 2000 (24ft long!)	99.00 IM1
Imax 2000 Ground Plane Kit	45.00 IMG
Thunderpole-5 (fibreglass with s/s whip)	62.50 HT5
Thunderpole Galaxy 5/8	74.50 HT8
Thunderpole A99 top section Upgrade	22.95 H59e
Firestik original A99 upgrade (FireUp)	24.95 H59f
A99 Replacement Top Section	17.50 H59t
A99 Replacement Middle Section	26.95 H59m
A99 Replacement Bottom Section	29.50 H59b
Imax Replacement Top Section	19.95 IMT
Imax Replacement Middle Section	36.95 IMM
Imax Replacement Base Section	59.50 IMB

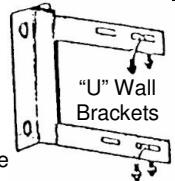


DIRECTIONAL BEAMS

Sirio 3-Element Yagi	94.50 H50
Sirio 4-Element Yagi	109.00 H51



Single pole/pole



BRACKETS & POLES

T & K Brackets (painted):	12"	11.95 F01
(inc. u-bolts) (pair)	18"	14.95 F02
	24"	16.95 F03
T & K Bkts. (galvanised):	12"	13.95 F01g
(inc. u-bolts) (pair)	18"	17.95 F02g
	24"	21.95 F03g
'U' Wall Brackets:	6"	4.95 F06
(inc. u-bolts)	9"	6.50 F07
	12"	12.95 F05
Lashing Kit (pressed steel)		5.95 F08
Lashing Kit (6" welded)		8.95 F08a
Lashing Kit (Heavy duty double)		14.95 F09
Lashing Wire (repair kit, exc bracket)		3.50 F08w
U Bolts:	1.5"	.60 F11
	2"	.75 F12
Guy Rope Clamp (3 hook 1.25-2")		4.50 F24
Guy Rope Clamp (4 hook 1.75-3")		4.95 F24a
Single Pole/Pole Clamps		4.50 F25
Double Pole/Pole Clamps		5.50 F26
Right Angle Pole Clamps		3.95 F27
Sirio 827 mounting kit (FT-2)		12.95 F82
Barrel type pole joiner:	1.25"	8.95 BJ1
	1.5"	11.95 BJ2
	2"	13.95 BJ3
Poles (1/4" non interlocking)		
Steel	6ft	6.95 F15
Poles (non interlocking):		
Alloy 1 1/4"	6ft	7.95 F17
H/D Alloy 1 1/2"	6ft	8.95 F17a
Alloy 1"	3ft	2.95 F19a
Alloy 1"	5ft	4.50 F19
Poles (interlocking):		
Alloy 1 1/4"	5ft	10.95 F18
H/D Steel 1 1/2"	5ft	13.95 F18a
20ft 4-Section Alloy Mast:		
(1 1/4" diameter)		39.95 F20
(1 1/2" diameter)		44.95 F21
(1 3/4" diameter)		49.95 F23
(2" diameter)		59.95 F22
Hembro/Sigma U-Bolts (pair)		1.95 F36
'Stud Anchor' Bolts ("rawl" bolts)		.75 F37a
Large plastic wall plugs & bolts		.35 F37c
Copper (plated) Earth Rod + Clamp		9.95 ERC

MICROPHONES & MIC ACCESSORIES

All our prices include a plug (fitted) and a battery (where required).
Please state rig model when ordering.

MOBILE REPLACEMENT

DM-350 (standard)	8.95 M99
DM-520 "Coffin" (like Rotel, Uniden, etc)	8.95 M03
DM-520E (electret version of above)	11.95 M03e
DMC-110 (compact)	9.95 M09
TTI "electret" replacement mic	13.95 M72
Maas KM-520 "teardrop" mic	12.95 M05
Cobra M73 ("chunky" rep. mic)	14.95 CA73
Midland Special Edition (H/D electret)	16.95 MSE
Superstar MC King (chrome effect)	19.95 MCK
DM-520 with channel-change	14.95 M03c
DM-520 with ch/ch for Lincoln 1	14.95 MPL

ORIGINAL & SPECIAL MICS

Midland 210 (original w/o ch/change)	15.95 M210
Midland 48/78 original (small, MR120)	13.95 M104
Midland 48/78 Multi (original ch/change)	15.95 M105
Midland 2/3/4001 original (blue)	17.95 M11
TTI original mic (with channel change)	14.95 MOT
TTI TCB-550/560 (non c/change)	12.95 M550
President original mic (with ch. change)	24.95 MOP
President Liberty Cordless Mic	69.95 MPL
Intek M110 original (4 pin)	13.95 M110
Intek M790 / M490 / M550 original	15.95 M790
Team (ch/chg) original replacement	17.95 T08m
Team VOX mic (for Team radios)	17.95 T08v
AE-4197 with c/ch (fits Magnum radios)	14.95 MDF
KPO/Maas/CRT-6900 original	16.95 MDX
CRT-9900 original mic	16.95 M990
Danita original (will work on Midlands)	12.95 MDN
Telex RK56 (noise-cancelling)	29.95 M28
Wilson Noise Cancelling (not amplified)	34.95 MWT

PMR MICROPHONES (DM523)

P6KW (Kenwood modular 6 pin)	15.95 M52k
P8KW (Kenwood modular 8 pin)	15.95 M52p
P6T2 (Tait modular 6 pin)	15.95 M52t
P6MX (Maxon modular 6 pin)	15.95 M52x
P8M (Motorola modular 8 pin)	16.95 M52m
P6M (Motorola modular 6 pin)	17.95 M52n
P8IC (Icom modular 8 pin)	17.95 M52j

HANDS FREE MICROPHONES etc.

CTE HFS-Master (Tie-Clip, VOX)	49.50 M87
tti THF-100 hands free mic system	19.95 THF
HM-100 motorbike helmet mic/headset	19.95 MB1
HM-200 ditto boom mic for open face	19.95 MB2
<i>(wired: Standard, Yaesu, Kenwood, or Motorola)</i>	

MOBILE POWER

Astatic D-104-M (s/offer limited time)	39.50 M104
Astatic RD-104E "Road Devil"	49.50 MRD
Cobra M75 (power)	24.95 CA75
KPO NM-532 (power)	19.95 M23a
KPO NM-452 (echo/power, new style)	34.95 M24a
Maas EC-2018 (echo/power)	29.95 M18
Maas KM-2029 (echo/power)	24.95 M30
EC-2018-TRB Turbo (echo/power)	54.50 MTE
EC-2018-XTR Xtreme (echo/power)	69.50 MXT
CTE/Alan F10 (power)	14.95 M29
CTE/Alan F26 (noise cancelling, bleep)	19.95 M35
CTE/Alan F36 (power, channel-change)	22.95 M36

BASE MICROPHONES

Astatic AST-878-DM	74.50 MAB
Syncron MP-5000 (volume + tone)	59.50 M88
Galaxy Echo (like Sadelta Echomaster)	94.50 GEM
Zetagi MB+4 (basic desk mic)	49.50 M48
Zetagi MB+5 (volume + tone)	64.50 M57
JCD-201 Ham Base Mic	99.00 JCD
Extra leads for JCD-201 base mic	9.95 JCL

Sadelta mics are no longer available.

SPEAKER/MICS FOR HANDHELDS

See "Hand-Held Accessories"



Many microphones are available under several brand names. Unless you specify "no alternatives" at the time of ordering we will dispatch whichever brand is currently available from stock.

RF AMPLIFIERS

It is illegal to use any amplifiers on CB in the UK. For use only by licensed Radio Amateurs or where licence conditions permit.

RF AMPLIFIERS

RM

KL 35	35w (relay switched)	28.95 R03
KL 60	35w (with switch)	29.95 R60
KL 200	100w	64.50 R04
KL 200p	100w with preamp	69.50 R05
KL 203	100w (mosfet)	45.00 R90
KL 203p	100w with preamp	49.50 R89
KL 405	200w, variable, preamp	149.00 R12
KL 405V	as KL405, variable fan	179.00 R12v
KL 503	250w, variable, preamp	159.00 R
KL 300-24	24 volt 150w	109.00 R06
HLA 150	150w, 1.5-30MHz	389.00 R91
HLA 300	300w, 1.5-30MHz	489.00 R92
KL 144	144MHz 50w	85.00 R29
LA-144	135-175MHz 70W	109.00 R23
LA 145	135-175MHz 85w	145.00 R24

Power listed is maximum AM/FM output power.

PRE-AMPLIFIERS

Zetagi P27-m Preamp (Small)	29.95 R65
Zetagi HP28	39.95 R64
PR-27 Preamp	24.95 R63

POWER REDUCERS

Zetagi RP2 (25W, 50% & 25% output)	18.95 RP2
Zetagi HP6 (variable/meter/10W)	37.50 R70
Bremi 3dB Attenuator (12W)	4.95 R71
Sirtel (6dB,12dB,dummy,4W)	9.95 R75



Typical power requirements:

FM Rig: 2A, 30W: 5A, 100W: 10A, 200W: 20A

Keep up with the latest news:

www.twitter.com/electrocom

POWER SUPPLIES

Power ratings are maximum continuous current.

POWER SUPPLIES (fixed voltage)

(sold under various brand names)

3 Amp	24.95 P01
5 Amp	29.95 P02
6 Amp	34.95 P06
10 Amp	45.00 P03

SHARMANS (linear transformer)

LM-30	30A, variable	109.00 P30
LM-40	40A, variable	129.00 P40

SHARMANS (switch mode)

SM-23	23A, compact	67.50 P33
SM-25D	25A, variable, digital	99.00 P25
SM-30	30A, variable	79.00 P35
SM-50	50A, variable	129.50 P55
SPS-9250	25A, variable, digital	115.00 P34

MAAS (switch mode)

SPS-30-II	30A, variable	79.50 PS30
SPS-250-II	25A, compact	69.50 P250
SPS-350-II	30A, digital display	99.00 P350
SPS-330-II	30A, variable, compact	79.50 P330
SPS-50-II	50A, variable	119.00 PS50
SPS-9600	60A, variable, digital	259.00 P36
SPS-9252	(12A, 3-30V)	129.00 P925
Telecom AV-825	(variable 24V 9A)	79.50
Telecom AV-5045	(variable 24V 20A)	129.50

DC TO 230V INVERTERS

150W (12v & 24v versions available)	29.95 PV1
300W (12v & 24v versions available)	34.95 PV3
600W (12v & 24v versions available)	54.95 PV6
1000W (12v & 24v versions available)	99.00 PV7
1500W (12v & 24v versions available)	149.00 PV8
2500W (12v & 24v versions available)	229.00 PV9

PV1



Voltage droppers



24 VOLT DROPPERS

Skytronic	10 Amp	18.95 PD2
Zetagi R5	5 Amp	16.95 P70
Zetagi R10	10 Amp	22.95 P71
Zetagi R20	20 Amp	39.95 P51
Zetagi R35	35 Amp	99.50 P73
Roadtek VR5	5 Amp	14.95 TD1
Roadtek VR10	10 Amp	18.95 TD2
Roadtek VR20	20 Amp	34.95 TD3
5A with cig plug and socket		14.95 P78
10A with cig plug and socket		19.95 P78
20A with cig plug and socket		36.95 P78
8A with twin cig sockets		18.95 P81

TEST METERS & EQUIPMENT

Many of the meters on this page also cover various amateur & PMR bands

SWR & TEST METERS (CB)

Basic SWR Meter (various makes)	8.95	S03
SWR/Power Meter (100W)	12.95	S74
SWR-171 Twin Meter (swr/pwr/100W)	19.95	S71
Midland KW-505 (twin/swr/pwr/100w)	24.95	S50
K-1000 / KP-27 (swr/pwr/2000W)	39.95	S79
Zetagi Mod-102 (SWR, 3-200MHz)	27.95	S23
Zetagi HP-201 (SWR/Pwr/1000W)	34.95	S18
Zetagi HP-202 (cross-needle)	59.95	S19
Zetagi TM-999 (SWR/Pwr/Matcher)	45.00	S20
Zetagi HP-1000 Transmatch	129.00	S21
SM-9000 / S-27 external S-meter	37.95	ESM

ANTENNA TUNERS (HF/VHF)

MFJ-971 1.8-30MHz, 300W, coax/wire	119.50
MFJ-941 1.9-30MHz, 300W, coax/wire	139.50
MFJ-945 1.8-52MHz, 300W, coax only	129.50
MFJ-948 1.8-30MHz, 300W, coax/wire	159.50
MFJ-949 1.8-30MHz, 300W, dummy load	169.50
MFJ-991 1.8-30MHz, 150W, automatic	229.00
MFJ-993 1.8-30MHz, 300W, automatic	239.00
MFJ-921 144-220MHz, 200W	98.95

FREQUENCY COUNTERS

Dozy FC-50 (6 digit)	99.00	S44
Galaxy FC-347 (special for SS3900)	74.50	KFVI

DUMMY LOADS

Dummy Load (5 Watt, light-up)	1.95	S70
DL-15 (15W constant, 100W int.)	18.95	S71
DL-30A (15W constant, 100W int.)	21.95	S71a
Zetagi DL50 50W Dummy Load	19.95	S75
MFJ-260C 300W Dummy Load	39.95	S73
Zetagi DL61 1KW Dummy Load	129.00	S72
DM150PL 150W, 1000MHz, PL	39.95	DL1
DM200N 200W, 3000MHz, N-type	54.95	DL2

SWR/POWER METERS (HF/VHF/UHF)

RX-20 swr/pwr, 3.5-150MHz, 150W	37.95
RX-40 swr/pwr, 144-470MHz, 150W	37.95
AV-201 swr/pwr, 1.8-180MHz, 1000W	49.95
AV-400 swr/pwr, 140-525MHz, 400W	49.95
AV-601 swr/pwr, 1.8-525MHz, 1000W	69.95
RX-203 swr/pwr, 1.8-200MHz, 200W	49.95
RS-402 swr/pwr, 125-525MHz, 200W	54.50
RS-502 swr/pwr, 1.8-525MHz, 200W	89.50

MATCHERS (CB) (without meter)

CTE K112 150W matcher	12.95	S112
RMS MB20 matcher 100W	14.95	S82
Zetagi MM27 100W matcher	17.95	S34
Zetagi M27 500W matcher	49.50	S33

ADAPTERS

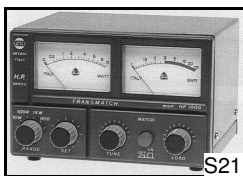
The adapters listed below convert the PLUG listed FIRST to FIT the SOCKET listed SECOND.

e.g. 'PL259 TO BNC' - this allows you to plug your antenna with a PL259 plug fitted into a rig with a BNC socket.

PL259 to BNC	1.95	K14
PL259 to N-Type	2.50	K18
PL259 to TNC	1.95	K09
PL259 to F-Type	1.45	K27
PL259 to SMA	2.95	K31
PL259 to SMA female	2.95	CN3
BNC to PL259	1.95	K04
BNC Female to PL259	1.95	K25
BNC to TNC	1.95	K07
BNC to F-Type	1.95	K12
BNC to N-Type	2.50	K29
BNC to Phono	1.35	K16
BNC to SMA	2.95	K30
BNC to SMA female	2.95	CN2
F-Type to N-Type	1.95	K05
F-Type to TNC	1.95	K10
Phono to BNC	1.25	K15
Phono to PL259	1.25	K17
Phono to F-Type	1.25	K28
N-Type to F-Type	2.25	K06
N-Type to BNC	2.25	K22
TNC to F-Type	1.95	K08
TNC to BNC	1.95	K26

MultiMeters

A range of meters is now listed on the "Tools" page



S21



S44



S71

A high SWR can very quickly blow an output transistor, especially on high power amplifiers.



Always keep an eye on your SWR reading.

Mic. cross-over adapters - see Leads & Cables
If you don't see the adapter you need listed, we can probably order it for you.

PLUGS & CONNECTORS

Coaxial Plugs

PL259/6 Coax Plug (thin, 6mm)	.85 C01
PL259/6 ditto Best Quality	1.50 C80
PL259/9 Coax Plug (thick, 9mm)	.85 C02
PL259/9 ditto Best Quality	1.50 C02a
PL259/7 Coax Plug for Mini-8 (7mm)	.85 C07
PL259 Superior Quality (6, 7 or 9mm)	1.10 C01s
Pack of 10 Standard PL259 (6,7 or 9mm)	6.95 C01b
Pack of 10 Superior PL259 (6,7 or 9mm)	6.95 C01p
PL259 for W-103 (compression type)	6.95 CWP
Quick Release PL259 (PLUG)	1.75 C59
Quick Release PL259 (ADAPTER)	1.75 C69
PL258 Double Female (joiner)	1.25 C03
Extended PL258 (approx 2 x length)	2.95 C03x
Double Male	1.25 C04
SO239 Chassis Coax Socket (rivet)	1.25 C05
SO239 Chassis Coax Socket (nut)	1.25 C06
Right-Angle Adapter (PL259/SO239)	2.50 C12
'T'-Connector (3 sockets)	2.95 C09
'T' Connector (2 sockets, 1 plug)	2.95 C10
Lightning Arrestor	1.95 C13
BNC Plug (standard solder type)	1.25 C35
BNC Plug (solderless, easy fit)	1.75 C95
BNC Plug (9mm for RG213 etc)	2.95 C35t
Right-Angle BNC Plug (solderless)	1.25 C96
BNC Chassis Socket (nut type)	.95 C36
BNC Right-Angle Adapter	2.25 C73
BNC Double Female (joiner)	1.25 C74
BNC 'T' Connector (3 x female)	2.75 C94
N-Type Plug (6mm, 7mm or 9mm)	2.50 C92
N-Type Plug for W-103 (compression)	6.95 CWN
N-Type Double Female	1.95 C101
TNC Plug (solder type)	1.45 C97
TNC Plug (crimp on)	.95 C98
Mini-UHF Plug (Motorola)	1.25 C91
F-Type Plug (satellite, twist-on)	.30 C75
F-Type Double Female	.35 C76
SMA Double Female	2.25 SDF

Microphone Plugs & Connectors

4 Pin Mic Plug (metal)	1.25 C16
5 Pin Mic Plug (metal)	1.50 C17
6 Pin Mic Plug	1.50 C18
7 Pin Mic Plug	1.50 C20
8 Pin Mic Plug	1.50 C85
5 Pin Din Plug (push-in, plastic)	.75 C19
5 Pin Din Plug (push in, metal casing)	1.25 C19m
Right Angle 4 Pin Mic Plug (4-way)	2.25 C21
Right Angle 5 Pin Mic Plug	2.95 C215
4 Pin Mic Socket (chassis)	.95 C22
4 Pin In-Line Mic Socket	1.95 C24
5 Pin Mic Socket (Din) (chassis)	.75 C23
5 Pin In-Line Mic Socket (Din)	.75 C25
5 Pin Mic Socket (screw) (chassis)	.95 C72
5 Pin In-Line Socket (metal)	1.95 C245
6 Pin In-Line Socket	2.45 C246
6-Pin Mic Socket (chassis)	1.25 C226
7 Pin In-Line Socket	2.45 C247
8 Pin In-Line Socket	2.45 C248
XLR microphone plug (male)	1.95 XLR
XLR microphone plug (female)	1.95 XLR2

Antenna Mount Plugs & Adapters

DV elbow	1.75 C50
New Style (male) DV elbow	1.75 C50m
DV wing-nut & bolt	1.75 C51
3/8 to DV Adapter (fits on DV Mt)	1.45 C52
DV to 3/8 Adapter (fits on 3/8 Mt)	1.75 C53
3/8 to PL259 Adapter (fits on SO239 Mt)	4.50 C88
DV to PL259 Adapter (fits on SO239 Mt)	2.95 C89
3/8 to PL259 Adapter (original Sirio)	6.95 C88s
'Volvo' Thread To 3/8 Adapter	1.95 K20
M7 to M6 Thread adapter	2.50 CM7

Audio & Video Connectors

2.5mm Jack Plug	.35 C27
3.5mm Jack Plug (ext. speaker)	.35 C28
2.5mm Stereo Plug	.65 C27s
3.5mm Stereo Plug	.45 C29
3.5mm In-Line Socket (mono or stereo)	.50 C77
3.5mm Double Adapter (mono or stereo)	1.25 C86a
1/4" (6.35mm) Mono Plug	.35 C30
1/4" (6.35mm) Stereo Plug	.50 C31
1/4" Mono In-Line Socket	.50 C79
3.5mm to 1/4" Headphone Adapter	.95 C32
1/4" to 3.5mm Headphone Adapter	.95 C33
Stereo 3.5mm to Mono 3.5mm Adapter	.95 C34
Speaker Plug (2 pin din)	.35 C63
Speaker In-Line Socket (din)	.35 C63a
Phono Plug (red or black)	.35 C64
Phono Socket (In-line)	.35 C68
Phono Double Female (joiner)	.50 K01
Phono Double Adapter (2 fem to 1 male)	1.25 K02
Phono To 1/4" Plug (mono)	.95 C84
2 x Phono to 3.5mm stereo plug	1.25 K19
T.V. Aerial Plug (metal)	.50 C55
T.V. Aerial In-Line Socket	.50 C56
T.V. Aerial Joiner (double female)	.50 C57
T.V. Double Male Connector	.50 C57a
T.V. Aerial 2-Way Splitter	.95 C58
T.V. to 3.5mm Plug Adapter	.95 C99

Misc. Plugs & Connectors


Banana Plug (rubber cover)	each	.75 C45r
ditto (stackable)	each	.95 C45b
ditto (heavy duty metal)	each	1.25 C45m
Banana Chassis Socket (for psu etc.)		1.25 C70
Banana In-Line Socket		.50 C45z
Cigar Lighter Plug (standard)		.75 C46
ditto Integral fuse holder		1.25 C46a
ditto Solderless (screw fit)		2.25 C46s
Cigar Lighter In-Line Socket		1.25 C90
Cigar Lighter Chassis Socket		3.75 C90a
"Hella" Type Plug		2.25 K21
"Hella" Type Socket (surface mount)		1.45 K21a
"Hella" Type Socket (chassis mount)		2.95 K21c
Dual power plug (cig/hella adaptable)		2.95 K32
Crocodile Clips	small	.25 C42
	(priced each) med.	.50 C43
	large	.95 C44
Car Radio Aerial Plug		.20 C60
ditto Solderless		.95 C61
Car Radio In-Line Socket		.95 C62
Bore Plugs (1.1, 1.3, 2.1, 2.5, 3mm)		.50 C65

LEADS & CABLES

COAX (per metre)

RG58 U Standard thin	.40	L50
RG58 CX Better quality thin	.50	L49
Mini RG8 (7mm) (Black)	.75	L52
RG213 Low Loss Thick (9mm)	1.45	L54
Westflex W-103 Low Loss (10mm)	1.95	L103
300 ohm slotted ribbon cable (black)	1.00	SRC
450 ohm slotted ribbon cable (black)	1.20	SR4
TV Coax (Brown or White)	.40	L67
Satellite Cable (Black or White)	.40	L70
Digital satellite cable (copper foil)	.60	L71
RG59 (75ohm for Co-Phasing etc.)	.45	L56

PL Lead (PL259 each end)



1/2m	2.45	L10
1m	3.25	L36
2m	3.75	L37
3m	4.25	L38
4m	4.75	L39
Co-Phase Harness (PL259 all ends)	10.95	L45

DV lead (DV plug & PL259)



2m	5.45	L30
3m	5.95	L31
4m	6.50	L32
4m without PL259	5.75	L33

Power Cable

2-core Red & Black 2.5 Amp	.25	L60
2-core Red & Black 6 Amp	.30	L62
2-core Red & Black 10 Amp	.40	L61
2-core Red & Black 15 Amp	.55	L53
2-core Red & Black 25 Amp	.85	L63
2-core Red & Black 40 Amp	1.40	L64
Single core 40 Amp (red or black)	.80	L89
Power Cable Quick Release (twin)	1.95	K03
3-core Suitable Rotators etc.	.45	L81

Replacement Curly Mic Leads (etc)

Standard 4-core 1.8m	2.95	L13
Extra long 6-core 10ft	3.95	L16
Extra Thin 1.8m (for 77-095 etc.)	1.95	L24
Speaker Mic Rep Lead and Twin Plug	4.95	L27
Straight mic cable (6 core) per metre	.60	L17
4 Pin mic extension lead (complete)	7.95	L20
ditto Extra long (3m)	8.95	L21
5 Pin mic extension lead (din, straight)	1.50	L22
5 Pin mic extension lead (din, curly)	4.95	L22a
5, 6 or 7 Pin mic extension lead	9.95	L28
5 Pin din plug on 1m straight lead	.50	C19L
Mic Cross-Over Adapter:		
made for any 4-pin rigs	7.95	L26
made for any 5/6/7/8 pin rigs	8.95	L26s
made for radios with Modular plug	8.95	L26m
Solid X-Over Adapter (various types)	5.95	L26a

100m Rolls of Cable

We can supply all cables in full 100m rolls, at a good discount. Below we list some of the more popular:

RG58 U Standard thin	29.95	L50r
RG58 CX Best quality thin	37.50	L49r
Mini RG8 (7mm) (Black)	57.50	L52r
Mini RG8 (7mm) (Black) (50m)	34.00	L52r
RG213 Low Loss (9mm)	119.00	L54r
TV Coax (brown or white)	19.95	L67r
Satellite Coax (black or white)	19.95	L70r
2.5 Amp red/black power cable	14.95	L60r

Prices for all other cables on request.

Power Leads (with fuse)

2 Pin (e.g. Rotel)	2.50	L01
2 Pin Square (larger than L01)	2.95	L11
3 Pin Black (e.g. Uniden)	2.50	L02
3 Pin Heavy Duty (7 Amp)	4.95	L02a
3 Pin H/D 15A with Cig Plug	9.95	L02k
3 Pin Midland (old style) / Maxcom	9.95	L03
New Midland (2 pin + clip)	2.50	L05
MX1000/2000 (3 wire)	2.50	L08
Albrecht AE6690/6890 / Delta 4000	2.95	L09
Any 10 power leads (from 2.50 range)	17.95	L99
TTI Power Lead	3.95	LTT
Team Roadcom Power Lead	4.95	LRC
SS9900 / Magnum (T shape)	10.95	L99
President Lincoln (Uniden 2830)	9.95	L07
Kenwood / Icom (6 pin)	17.95	L91
Yaesu / Icom (4 pin)	17.95	L93
Alinco/Yaesu/Kenwood/Icom 2 pin	9.95	L92
3 Pin extension lead (plug/socket)	2.50	L03e
Blank Fused Leads (approx. 1.5m)	1.75	L06
Tait 500 series 2 pin lead (no fuse)	2.95	PM1
Icom/Kenwood/Maxon 2 pin "T" shape	2.95	PM2
Old Icom 2 pin (no fuse)	2.95	PM3
Motorola GM series (twin bullet)	1.95	PM4
Tait 2000 series (4 pin)	2.95	PM5
Tait 8000 series (8 pin)	2.95	PM6

Speaker Cable

Speaker Cable (13 strand)	.20	L65
Speaker Cable (42 strand)	.45	L73
Speaker Cable (79 strand)	.75	L72

FILTERS

AKD/Garex High Pass TVI Filter	8.95	X07
Eurosonic Low Pass MOD-151 (Japan)	3.95	Y18
Zetagi Low Pass Filter (300W)	13.95	X11
RM 27/586 Low Pass Filter (300W)	19.95	X586
Syncron Low Pass Filter (300W)	11.95	X11a
Hot Line (Power Lead) Filter	1.95	X15
Ferrite ring (small, 30mm dia)	.85	FR1
Ferrite ring (30mm dia, 22mm deep)	1.75	FR3
Ferrite ring kit (15 assorted sizes)	14.95	FRK
Clamp-on Ferrite Filter (approx 7mm)	1.95	Y58

MISCELLANEOUS

BATTERIES

6V Power Mic Battery (use instead of 7v)	1.50	X30
Panasonic AA Batteries (pack 4)	.95	Y26
Panasonic PP3 Battery	.95	Y27
Duracell AA Battery (single)	.75	Y28
Duracell AA Batteries (pack 4)	2.95	Y38
Duracell PP3 Battery	2.95	Y39
LR23 12v Alarm Remote Battery	.95	LR2
"N" size LN1 1.5v Battery (pack of 2)	1.50	LN1

Full range of watch batteries etc in stock

MIC CLIPS

Standard (screw-on)	.75	X45
Self Adhesive (plastic)	.85	X46
Magnetic	.95	X47
Mic 'Hook' - Hangs anywhere	.75	Y95
"Gearkeeper" retractable mic holder	17.95	GK1
"Gearkeeper" (chrome look)	18.95	GK2
"Gearkeeper" (flame effect/carbon)	19.95	GK3
"Gearkeeper" (heavy duty)	21.95	GK8
"Gearkeeper" (heavy duty chrome look)	22.95	GK9



CAR VOLTAGE ADAPTERS

12V to 3-9V non-regulated	3.95	Y05
12V to 1.5-12V 600mA regulated	6.95	Y05a
12V to 1.5-12V 800mA regulated	8.95	Y05c
12V to 3-12V 2 Amp regulated	11.95	Y04a
12V to 15/18/21/24V 2.5A regulated	14.95	Y11

QSL CARDS etc.

QSL Cards (black) pack of 25	1.75	X91
QSL Cards (colour) pack of 25	1.95	X92
Log Book (receive only)	1.95	J09
Log Book (RSGB, ring bound)	4.95	J10
DX Certificates (for QSL) 25 for	1.95	X43

see website for more details/pictures

FUSE HOLDERS & FUSES

Fuses (1/2/3/5/10 Amp) (20/32mm)	.25	Y01
Fuses ditto	5 for 1.00	X99
Fuse Holder (white plastic)	.95	C47
Fuse Holder with fuse on short wire	1.25	C48
Fuse Holder on Twin Lead with fuse	1.75	L06
Chassis Fuse Holder	1.25	Q653

Many other fuse sizes available - please ask.

MISCELLANEOUS

Hella to cig socket adapter	4.50	HA1
Hella to twin cig sockets	4.95	HA2
Hella to triple cig sockets	5.95	HA3
Hella to twin Hella sockets	4.95	HA4
Car Cigarette Lighter Kit	4.95	Y06
Cig. Socket with Croc. Clips	3.95	Y07
Cig. Socket Double Adapter	3.95	Y08
Cig. Socket Extension (4m)	5.95	Y06e
2-Way Cig. Socket Extension	4.95	Y08e
4-Way Cig. Socket Extension Lead	5.95	Y08a
Cig Universal Power Lead 12V	4.95	Y13
Car CD Adapter (fits in cassette)	6.95	Y52
Velcro (1ft strip of each)	1.00	Y94
12V or 24V Oscillating fans	12.50	Y09

EXTENSION SPEAKERS

The same speakers are made under various different brand names and availability varies. So below we have simply listed the speakers by a brief description.

The sizes are all approximate.

Mini Speaker (7 x 7cm)	5.95	E02
Mini Oblong (11 x 7cm)	7.50	E05
Square standard speaker (11 x 11cm)	7.50	E09
Compact with filter & mute (11 x 9cm)	8.95	E61
Cobra S-100 (large, heavy duty)	17.95	E62
Cobra S-300 (large with filter)	21.95	E60
CRT HP-SS-ONE (with flashing LEDs)	14.95	E66
Midland weatherproof speaker (large)	17.95	E63
P.A. Horn (weatherproof speaker)	8.95	E20
Amplified Speaker (12v with volume)	21.95	E50



HEADPHONES

Lightweight (walkman)	1.50	E30
'In-Ear' Mini Headphones	1.50	E31
Large Padded (with volume)	7.95	E38
Earphone (mono) (3.5mm or 2.5mm)	.95	E36
Earpiece (clips over ear)	2.50	E41
Deluxe "D" Earpiece (used by security)	4.50	EP1
ditto 2.5mm plug (instead of 3.5mm)	4.50	EP2
EP-5 Acoustic ear tube	12.95	EP5

We also stock a wide range of earpieces (with & without microphones) for use with handhelds - suitable for CB, Amateur, and PMR radios.

RIG BRACKETS

Adjustable Rig Bracket (13-22cm)	2.95	X33
Midland Universal Swivel Mount	19.95	MSM
TCB-550/560 (fits Midland 38/98 etc)	2.45	XB2
Cobra/Ranger/Superstar/Maas	4.95	XB4
President Harry-3/Truman/Teddy	3.95	XB5
Midland Alan 78	4.95	XB6
Magnum-257 / Albrecht AE-285	7.95	XM2
DIN Adapter Bracket (many sizes)	19.95	DB3
tti DIN adapter (fits Midland, tti, Intek)	14.95	DTT
Thumb Screws 4, 5, 6mm (plastic) pair	1.95	X37
ditto (metal) pair	1.45	X37a
Cobra/Superstar Thumbscrew Kit	5.95	X37k
Slide Mount (large)	10.95	X32
Spare Top Half (for above slide mount)	2.95	X32h
Small Slide Mount	8.95	X31

TOOLS & SERVICE AIDS

SOLDERING IRONS

Skytronic 30 Watt	5.95 SS1
Skytronic 30 Watt Deluxe	6.95 SS2
Skytronic 30 Watt Ceramic Element	7.95 SS3
Skytronic 20W with 130W boost button	6.95 SS6
Solder Kit (iron, stand, desolder, solder)	9.95 SS8
Skytronic Solder Station (variable)	52.50 SS7
Solder Gun (60W)	13.95 Y68
Portasol Gas Soldering Iron	15.95 X63
Soldering Iron Stand (metal)	3.95 X66
Desolder Pump	2.50 X67
Desolder Braid (solder wick) (1.5m)	1.25 Y46
Skytronic Replacement Tip (various size)	1.25 SRT
Tube of Solder (5m)	1.25 X38
Med. Roll Solder (100g)	4.95 X42
Large Roll Solder (250g)	9.95 X41
Solder Roll Holder	1.95 X44

TOOLS

Terminator-10 multi-tester screwdriver	2.95 X82
5pc Precision Screwdrivers	1.50 Y75
8pc Deluxe Long Reach Screwdrivers	7.95 Y77
7pc TORX Screwdriver set	2.95 Y74
10pc Miniature File Set	1.95 MFS
Wire Cutters	1.95 Y78
Wire Cutters (deluxe)	3.75 Y62
Auto Wire Strippers	2.50 Y79
Long Nose Pliers	1.95 Y81
Precision Long Nose Pliers	3.95 Y80
Helping Hands + Magnifier (glass)	4.95 X69
Helping Hands+Magnifier+S/Iron Stand	5.95 X69s
Electronics Tweezers set (5 piece)	3.95 X89
Pick-up Tool (small)	1.50 Y64
Magnifying Glass	1.50 GLS
Eye Glass Magnifier	2.25 EYE
Resistor/Inductor Calculator	.95 RIC

MULTIMETERS

Analogue:

Pocket Multimeter (16 ranges)	7.95 S60
Smart-2 Analogue (16 ranges)	14.95 S93
Micronta 43-range large Analogue	19.95 S68
Micronta FET Analogue	29.50 S67

Digital:

Mini digital multimeter	5.95 DM1
19 Range (inc trans & diode test)	6.95 DM2
Professional 32 Range (inc trans & cap)	13.95 DM5
Clamp Meter (8 range)	13.95 DM4

Large range of others available to order

AEROSOLS etc.

Servisol-10 (switch cleaner)	3.95 X75
Aero-Klene (solvent cleaner)	4.95 X76
Freezer Spray 200ml	6.95 X77
Label Remover	6.45 Y84
Moisture Repellent/Lubricant	4.95 Y71
Tape Head Cleaner (aerosol)	2.95 X78
Foam Cleaner (for cabinets)	3.95 X79
Aero Duster (air spray) 200ml	6.95 Y14
Silicon Grease Spray	4.95 Y16
Silicon Grease (tube)	4.50 Y67
Plastic Seal (waterproofing)	5.50 Y69
Heat Sink Compound (25g)	3.45 Y72
Matt Black Spray Paint 400ml	4.95 Q301
Gloss Black Spray Paint 400ml	4.95 Q302
'Rotel' Graphite Grey	4.95 Q303
Grey Primer 400ml	4.50 Q304

BOOKS

How to Wire Mics 3rd edition (Book)	2.95 Qmic
Mic Wiring Chart (A4 laminated)	1.25 Cmic
Mic book and Chart (both of above)	3.95 Bmic
Frequency Chart (26-28mHz)	.50 Freq
Frequency Chart (laminated)	.95 Frq2
10-codes & Q-codes chart (laminated)	.95 Info
CB Divisions Chart (laminated)	.95 DIV
Log Book - receive only	1.95 J09
Log Book - RSGB spiral bound	4.95 J10
SWL Receiving Log Book	1.95 J11
World Map (A3 with amateur prefixes)	4.99 WM1
World Map (A2 with amateur prefixes)	5.99 WM2
Ultimate Scanning Guide 4 (with CD)	18.95 USG

See 'Circuit Diagrams' for service manuals.

We always have a large range of used equipment in stock, anything from a £1500 HF radio to £5 swr meter.

We try to update this list at least once a week, often at the weekend. So have a look what used bargains we have available at:

www.kcb.co.uk/sechand

We also stock:

Mobile phone accessories, Truck Accessories, Car Accessories, TV & HiFi leads & so much more.

For a range of truck accessories:

www.kcb.co.uk/truck

AMATEUR ANTENNAS

VHF/UHF MOBILE ANTENNAS

SO239 FITTING WHIPS:

M-150 2m 1/4wave, 51cm	11.95
M-285 2m 5/8wave, 3.4dB, 133cm	14.95
NR-770R 2m/70cm, 3/5.5dB, 98cm	19.95
NR-770S 2m/70cm, 2.15/3dB, 43cm	18.95
NR-770H 2m/70cm, 3/5.5dB, 98cm	18.95
NR-77B 2m/70cm, 2.15/3dB, 47cm	18.95
SG-7500 2m/70cm, 3.5/6dB, 106cm	29.95
SG-7900 2m/70cm, 5/7.6dB, 158cm	34.95
HP2000 2m 5/8 wave, 3.2dB, 123cm	29.95
HP7000 70cm 5/8 wave, 3.2dB, 42cm	24.95
HP2070 2m/70cm, 0/3.2dB, 45cm	34.95
HP2070R 2m/70cm, 3/6dB, 98cm	37.95
HP2070H 2m/70cm, 3dB/6dB, 105cm	39.95
CR-627 6m/2m/70cm, 2/4.5/7.2dB, 160cm	39.95
WGM-270 2m/70cm On Glass Mount	19.95

MAG MOUNT ANTENNAS (complete):

EX-211 2m/70cm, micro mag, 51cm	11.95
--	-------

HF MOBILE ANTENNAS

MA-3800 Multi-band 7Mhz-430MHz	69.95
MULTIRANGER-9 9-band 70cm-80m	59.95
MULTIRANGER-200 10-band 2m-80m	79.95
AM10 10m mobile, 3/8, 250W	17.95
AM20 20m mobile, 3/8, 250W	17.95
AM40 40m mobile, 3/8, 250W	17.95
AM80 80m mobile, 3/8, 250W	18.95

Also available 6m, 12m, 15m, 17m and 60m

MOUNTS & BASES

MAG MOUNTS

BM145PL 7" mag, SO239 fitting	13.95
MAG125 Sirio, 13cm, SO239, rubber boot.	23.95
MAG145 Sirio, 16cm, very strong, boot.	26.95
TMM-PL 3 x 5" mags, SO239	37.95
TMM-3/8 3 x 5" mags, 3/8 connection	37.95

BODY MOUNTS

S-ECH SO239, 4m RG58, PL259	10.95
S-4MT As above, 4m transparent coax	18.95
W-ECH SO239, 4m RG58, PL259	11.95
W-3CK SO239, 5m 5D-FB, RG188 tail	19.95
SRO-PL Sirio SO239 kit, 4m RG58	15.95
HP-AC Sirio HQ SO239 kit, 5m RG58	22.95

OTHER MOUNTS

W-3HM Hatchback mount (no stud or coax)	14.95
MB-700 Adjustable mirror mount	12.95
MB-800 Adjustable hatchback/boot mount	12.95
MB-400 Adjustable hatchback/ boot mount	12.95
K-33 Diamond hatchback mount	41.95

VHF/UHF BASE ANTENNAS

X-30 2m/70cm, 3/5.5dB, 1.3m fibreglass	45.00
X-50 2m/70cm, 4.5/7.2dB, 1.7m fibreglass	52.50
X-200 2m/70cm, 6/8dB, 2.5m, fibreglass	57.50
X-300 2m/70cm, 6.5/9dB, 3.1m, fibreglass	65.00
X-510N 2m/70cm, 8.3/11.7dB, 5.2m, f/glass	79.50
X-510N Diamond version of above	149.00
W-30 2m/70cm, 3/6dB, 1.15m, fibreglass	49.95
W-300 2m/70cm, 6.5/9dB, 3.1m, fibreglass	95.00
W-2000 6m/2m/70cm, 2.15/6.2/8.4dB, 2.5m	99.00
V-2000 6m/2m/70cm, 2.15/8.3/11.7dB, 2.5m	79.95
SA270MN 2m/70cm, 2/4.2dB, 1.8m, f/glass	84.50
GP-3E 135-175MHz, 1.5dBd,	37.50
CX-4-68 Sirio 4m base antenna	54.50

HF BASE ANTENNAS

HF-X-80 80m - 6m vertical	99.00
HF-360 80m - 10m vertical	129.00
PLUS-KIT for X-80 & HF-360	59.00
5-BTV Hustler 5-band 80m-10m, 7.64m	229.00
CP-6 Diamond 5-band 40m-6m, 4.6m	329.00
G5RV-F-D Full, 10-80m, 102ft, polyweave	34.95
G5RV-H-D Half, 10-40m, 51ft, polyweave	32.50
G5RV-F Full, 10-80m, 102ft, standard wire	29.95
G5RV-H Half, 10-40m, 51ft, standard wire	24.95

HANDHELD ANTENNAS

RH-519 2m/70cm, BNC, 20cm black flexi	14.95
RH-701s 2m/70cm, BNC, 21cm black flexi	15.95
RH-536 2m/70cm, SMA, 36cm black flexi	16.95
HA-777 2m/70cm, BNC telescopic, 16-60cm	9.95
RH-770 2m/70cm, BNC telescopic, 23-91cm	19.95
CH-32 Very short 144/430/1200MHz TX	11.95
RD2 2m rubber duck, BNC fitting.	8.95
NA-771 2m/70cm, SMA-M/F or BNC, 39cm	9.95
NA-705 2m/70cm, SMA-M/F or BNC, 30cm	9.95
NA-140BB 2m/70cm, SMA-M/F, 11cm	8.95

ANTENNA PARTS

ECW Enamelled copper wire. Per metre	.45
ECW Enamelled copper wire. 50m roll	18.95
FLEXWEAVE Ultra flexible. 50m roll	32.50
KEVLAR Stronger than steel support wire.	.60
KEVLAR 200ft roll (guy/support wire)	29.95
INSUL-8 Black "dog-bone" insulator.	1.10
WDC-50 Dipole centre with SO239.	6.95
WDC-300 ditto with 300/450ohm connection	5.95
LP-350A 0-500MHz lightning surge protector	16.95
MX-72 Antenna Duplexer (PL259 leads)	29.95
W-LWB RX Balun for longwire antenna	25.95
WDC-5G G5RV connector	5.95

*A wide variety of other mounts, both SO239 & 3/8 thread, can be found under "mobile mounts"
Many of the CB base antennas will not only cover 11m, but also up to 20m with an ATU.*

SERVICE MANUALS & DIAGRAMS

MAKE/MODEL	CODE
Albrecht Alpha 4000	1
Albrecht AE201	1
Albrecht AE497	1
Amstrad 900/901	3
Audioline 340 / 341	3
Audioline 342	1
Audioline 345 (H/base)	1
Binatone Route-66 (PLL02A)	3
Binatone Route-66 (LC7137)	3
Binatone Breaker-Phone	3
Cobra 19X (AM)	1
Colt 355	2
Colt 295	2
Commtron CB-40F	2
Consam 1320	2
CTE 737	1
CTE 747	1
CTE Speedy	1
Cybernet PCB 134	1
Danita Mk 5	2
Danita 640	1
Danita 1608	1
Domico Convoy 1	1
DNT M40	3
DNT B40	2
DNT HF 12/3	2
DNT Contact 40	2
DNT Contact-2	2
DNT Transit-40	2
DNT Scanner-FM	2
Eurosonic Euro-2	2
Eurosonic ES-200 H/H	1
Eurosonic ES-407	1
Fidelity 1000	3
Fidelity 2000	3
Fidelity 2001	3
Fidelity 3000	3
Grandstand H/B	1
Grandstand Gemini	1
Grandstand Bluebird	1
Harry Moss 325	1
Harvard 410T H/H	3
Harvard 2CH H/H	1
Harvard H403 G/Buddy	1
Icom ICB-1050	3
Interceptor 300	1
Jesan KR-200	1
Jesan KT-4004	1
Jesan KT-5005	1
Jesan KT-7007	1
Jesan CB-950 H/H	1
Jesan 88-900 H/B	2
Kernow Beta 1100	2
Kernow Beta 2100	2
Kernow Beta 2100 mk2	2
Kernow Beta 2100gtl (80ch)	2
Kernow Beta 3100	2
Kernow Beta 3100 (80 ch.)	2
Kernow Beta 4100	2
Kernow Beta 5100	2
Lancaster	2
Legionaire	1
LCL Economy	2
LCL 27/40	2

CIRCUIT DIAGRAMS

MAKE/MODEL	CODE
Lowie TX40	3
Magpie Autoscan	1
Maxcom 4E	1
Maxcom 6E	1
Maxcom 7E	1
Maxcom 16E	2
Maxcom 20E	2
Maxcom 30E	2
Maxon MX-1000	3
Maxon MX-2000	2
Maycom EM-27 (poor quality)	3
Midland 2001	3
Midland 3001	3
Midland 4001	3
Midland 77-095	3
Midland 77-099	3
Midland 77-104 (LC7137)	3
Midland 77-104D (C5122)	2
Midland 77-104-GTL	2
Midland 77-1165	2
Midland 77-805	2
Midland 77-9145	2
Midland 76-900 H/Base	3
Midland Power-Max	3
Midland 75/720 H/H	2
Midland 48 plus *	2
Midland 48 Excel	1
Midland 78 plus *	2
Midland 95 plus	2
Midland 42 plus *	2
Murphy Home Base	1
Moonraker Master H/H	2
Moonraker Minor	2
Moonraker Major	2
Pama GX-19	1
Pama GX-25	1
Pama GX-29	1
Pama GX-1000	1
Pama GX-2000	1
President KP77	1
RadioShack 1014 H/Held *	3
Realistic TRC-1010 *	3
Realistic TRC-2005 *	3
Realistic 2000	2
Realistic 2001	2
Realistic H/B	1
RMS HT-101	1
RMS HT-200	1
Rotel RVC 220	1
Rotel RVC 230	1
Rotel RVC 240	3
Satcom Scan 40F	1
Shogun	1
Skipstech HS-2000	3
Team 404 UK	2
Team 404 CEPT	2
Team MAXI 90 H/H	1
Team 3004 H/B	2
Team 3100 H/B	2
Uniden 100 / 200	1
Uniden 300 H/B	3
Uniden 400/404	3
Uniden PRO 450E	1
Zodiac M-244	1

UK SERVICE MANUALS

Audioline 340/341
Amstrad 900/901
Binatone Route-66 (both PCBs)
Binatone Breaker-Phone
Cobra 25 UK (£5.95)
Cobra 29 UK (£5.95)
DNT M40 + Icom 1050 + JWR M2
Fidelity 1000
Fidelity 2000
Fidelity 2001
Fidelity 3000
Harvard 410T Hand-Held
Lowie TX40
Maxon MX-1000
Maycom EM-27 (poor quality)
Midland 2/3/4001 Series
Midland 77-095
Midland 77-099
Midland 77-104
Midland 77-805
Midland 76-900 Homebase
Midland 250 Power-Max
Midland 48 plus (£5.95)
Midland 78 plus (£5.95)
Midland 42 plus (£5.95)
Radioshack TRC-1014 H/Held (£5.95)
Realistic TRC-1010 (£5.95)
Realistic TRC-2005 (£5.95)
Rotel RVC-240
Skipstech HS-2000
tti TCB-770 (£5.95)
tti TCB-880 (£5.95)
Uniden 100/200
Uniden 400/404

All the above service manuals are photocopies, priced at **£3.95** unless stated otherwise.

EXPORT MANUALS

Cobra 148 (early) (£4.95)
Cobra 148 (late) (£4.95)
Ham Int Multimode-2
Ham Int Concorde-2
Ham International Puma
Ham International Viking
Ham International Jumbo
President Adams
President Grant
President JFK
President Madison
Stalker ST9 / ST9FDX
Stalker-20

The above manuals are photocopies, priced at **£3.95** unless stated.

Cobra 200
Uniden 2830 / Lincoln
President George
President Jackson
Ranger rci-2950 (older models)
Ranger rci-2950/2970DX
Superstar 3900
The above manuals are photocopies but are very comprehensive, all **£6.95**

CODES & PRICES

1. Circuit diagram only .75
 2. Circuit diagram+parts layout+block diagram £1.50
 3. Full service manual (except where marked *) £3.95
- For codes 2 & 3 you may purchase the diagram only at 75p

SPARES & PARTS

METERS & LAMPS:

Meter lamp (12v) on long wire	.50 QL1
Meter lamp (12v) short bare wires	.50 QL2
Miniature meter lamp (clear/green/amber)	.50 QL5
Tubular meter lamp (Midland 48 etc)	1.95 QL6
Zetagi meter (HP1000 etc)	5.95 QMZ

FASTENINGS:

Mic Plug Screws (tiny)	.07 Q49
Mic Plug Screws (clamp) sold out	Q51
Mic plug rubber sleeve (each)	.08 RS1
Mic plug rubber sleeve (pack of 100)	4.95 RS2
Rig Case Screws (zinc)	.05 Q52C
Rig Case Screws (black)	.05 Q52B
Rig Case Screws (stainless steel)	.10 Q52s
Pack 100 Rig Screws (black or zinc)	1.95 Q52A
3/8 Thread Bolt (1½" long)	.25 Q316

CONTROLS & SWITCHES:

Cybernet 1000 channel change control	9.95 QC2
President Lincoln variable power control	7.95 PL1
President Lincoln Mode control	14.95
Midland 38 on/off/volume control	3.95 QC7
Midland 48 channel change control	4.95 QM5
Midland 48 Excel volume/squelch	8.95 QM6
Deltaforce channel change control	15.95
Deltaforce volume/squelch control	9.95
Deltaforce clarifier/AMT control	6.95
Deltaforce echo control	9.95
Magnum 257 channel change	8.95
Magnum 257 squelch/power control	8.95
Magnum S9 clarifier control	6.95
Short Black Slide Switch	.35 Q83
Chrome slide switch	2.95
Mini Toggle Switch (2 way)	1.45 Q203
Mini Push Switch (channel change etc.)	.45 QP1
ditto with 1.5mm shaft	.45 QP2
ditto with 6.0mm shaft	.45 QP3
Presets (most values)	.25 Q70
Red Trimmer Capacitor	.50 QTC
Electret Mic Element	1.25 Q500

SPEAKERS:

2" Speaker (round)	1.95 QS2
3" Speaker (square)	4.95 QS3
3.5" Speaker (square)	4.95 QS5
4" Speaker (square)	4.95 QS4
President Teddy Speaker	4.95 QST
Deltaforce Original Speaker	9.95 DFS
GRE PSR-295 replacement speaker	8.45 QS9
3.5mm Chassis Socket	.35 Q67

POWER SOCKETS:

2 Pin Power Socket (chassis)	1.95 Q78
3 Pin Power Socket (in-line)	.95 Q79A
Midland 104/48/78 Socket (in-line)	1.25 Q81

RESISTORS & CHOKES:

RF Power Choke (Filter)	.75 QK1
Cybernet large choke (transformer)	.95 QK2
Cybernet 680M choke (white)	.75 QK3

sorry we do not stock separate resistors

FRONTS/FACIAS:

Front for Magnum S9	24.95
Front for Magnum 257	9.95
Black Inlay for Magnum S9	9.95
Chrome Casing for Magnum S9	19.95
Superstar 3900 s-meter	9.95
Magnum S9 s-meter	18.95

HARDWARE etc:

H/H Rep Telescopic Ant. (Moonraker etc)	9.95 Q87
Binatone Long-Ranger Telescopic ant.	5.95 Q88
Fitting Instructions for LC7132	.50 Q361
Fitting Instructions for TC9106	.50 Q381
Battery Holder 2 x AA	.75 QB4
Battery Holder 4 x AA	.95 QB3
Battery Holder 10 x AA	1.25 QB2
PP3 Battery Clip	.25 QB1
TO-220 Mica Insulator & Bush	.15 QM1
TO-3 Mica Insulator & Bush	.20 QM2
14 Pin IC Socket	.25 QS14
16 Pin IC Socket	.25 QS16
18 Pin IC Socket	.25 QS18
20 Pin IC Socket	.25 QS20
Cable Grommets (for pwr lead)	.20 Q212
1000uF 16V Capacitor	.50 Q213
Matt Black Spray Paint (400ml)	4.95 Q301
Gloss Black Spray Paint (400ml)	4.95 Q302
'Rotel' Graphite Grey (400ml)	4.95 Q303
Box of 127 assorted heat-shrink tubing	2.95 HST
Rubber Feet (stick-on) Small 4 for	.50 QF1
ditto Large 4 for	1.25 QF3

VALVES

We no longer stock any valves due to high prices.

TUNING CANS

Fidelity 2001 / Amstrad:	T2 T3 T10 1.95 FID
Fidelity 2000 / Cybernet-134:	T2 T3 T5 T7 T8 T9 T10 T11 1.95 C134
	L4 (Yellow) 1.25 Q654
	L9 (Green) 1.25 Q655
Cybernet 1000:	T5 T7 T8 T10 T11 T12 1.95 C10T
	L3 L4 L6 L7 L9 L10 .75 C10L
Binatone Route-66 VCO (T1)	1.95 Q472
Ferrite Hex Cores (Cybernet etc.)	.75 Q54

*The tuning cans listed above are the **only ones** we have available. Unfortunately we have no way to cross-reference these for use in other radios.*

COMPONENTS

TRANSISTORS

2SA 473	.95	Q110	BC 212	.35	Q105	KIA 7205 (TA7217)	3.95	Q22
2SA 562	.30	Q562	BC 237	.35	Q243	LA 1231 (1230)	3.95	Q26
2SA 564	.30	Q111	BC 301	.35	Q183	LA 4160	2.95	Q416
2SA 683 (=2SB 325)	.70	Q112	BC 337	.35	Q184	LA 4201	7.50	Q186
2SA 719	.30	Q08	BC 547	.35	Q909	LA 4422	3.95	Q23
2SA 720	.50	Q106	BD 131	.50	Q12	LA 4440	2.95	Q187
2SA 733	.40	Q113	BD 132	.50	Q147	LA 4446	2.75	Q188
2SA 966	.75	Q114	BD 135	.50	Q13	LA 4460	2.95	Q189
2SA 970	.50	Q970	BD 139	.50	Q402	LA 4461	2.95	Q190
2SA 1012 (=2SB 920)	1.25	Q115	BD 140	.50	Q148	LA 4558 (AN 4558)	.95	Q30
2SA 1015	.40	Q116	BD 435	.75	Q435	LA 6324	1.45	Q917
2SB 754 (=2SB 817)	2.95	Q119	BF 199	.25	Q199	L 200C	2.25	Q240
2SC 380	.35	Q120	BF 244	.75	Q185	LC 7131	7.95	Q35
2SC 495	1.25	Q495	BF 245	.75	Q401	LC 7132	8.95	Q36
2SC 536	.85	Q121	ERF 2030	4.95		LC 7137	7.95	Q37
2SC 710	.50	Q07	ERF 7530	15.95		LM 324	1.75	Q32
2SC 711	.30	Q122	FQP 13N10	6.95		LM 380	1.50	Q380
2SC 828	.35	Q910	IRF 520	3.95		LM 386	1.95	Q158
2SC 941	.55	Q107	JA 501	.30	Q501	MB 3712	9.95	Q25
2SC 945	.95	Q123	JC 501	.30	Q502	MB 3756	sold out	Q159
2SC 1047	.30	Q247	KTC 200	1.85	K200	MC 1403	2.95	Q160
2SC 1306	2.95	Q191	MJ 2955	1.25	Q295	MC 1723	1.60	Q161
2SC 1318	.30	Q124	MJE 3055T	1.25	Q305	MC 145106	5.95	Q163
2SC 1327	.30	Q327	MRF 450	29.95	Q18	MC 3357	4.50	Q33
2SC 1359	.35	Q190	MRF 450A	24.95	Q19	MC 3359 (ULN 3359)	8.95	Q98
2SC 1674	.99	Q125	MRF 455	use SRF 3775		MC 3361	2.75	Q162
2SC 1675	.99	Q126	MRF 475	19.95	Q150	MM 55108	5.95	Q195
2SC 1730	.35	Q180	MRF 477	39.95	Q151	NEC 575	3.95	Q164
2SC 1815	.99	Q127	MS 1307 (unmarked)	4.95	Q09	NPC 5121-00	9.95	Q165
2SC 1845	.50	Q901	RD16HHF1	7.95	Q174	NPC 5121-01	sold out	
2SC 1846	.95	Q261	RD70HHF1	32.95		NPC 5122	9.95	Q169
2SC 1906	.35	Q196	RFE 1164	29.95	Q64	PLL 02A <i>last few</i>	16.95	Q167
2SC 1923	.30	Q128	RM 03	4.95	RM3	RC 4558	.75	Q30
2SC 1957	1.25	Q129	RM 04	4.95	RM4	SO42p	4.95	Q42p
2SC 1969	14.95	Q02	SD 1446	39.95	Q446	TA 7061	2.25	Q188
2SC 1970	2.95	Q192	SD 1407	49.50	Q407	TA 7130	2.25	Q102
2SC 1975	1.75	Q241	SRF 3775	39.95		TA 7205	5.95	Q21
2SC 2078	2.95	Q01	TIP 31c	.65	Q31	TA 7217	3.45	Q22
2SC 2086	2.95	Q06	TIP 41c	.95	Q15	TA 7222	3.45	Q95
2SC 2166	6.95	Q03	TIP 42c	.95	Q16	TA 7230	2.25	Q189
2SC 2236	.50	Q130	TIP 120	.95	Q17	TA7310/KIA7310	sold out	
2SC 2290	37.50	Q229	TIP 2955	1.45	Q193	TA 7318	1.25	Q314
2SC 2312	sold out		TIP 3055	1.45	Q146	TA 7358	1.45	Q242
2SC 2314	2.95	Q05	TQ22N50P	3.95		TA 75902	2.95	Q171
2SC 2724	.35	Q181	UFZ24N	4.95		TA 8210	5.95	Q905
2SC 3199	.65	Q133				TA 8215	5.95	Q821
2SD 313	.85	Q134				TBA 820	.95	Q820
2SD 325	1.25	Q135	AN 240	1.95	Q30	TC 4029	2.49	Q428
2SD 400	.65	Q913	AN 374	5.95	Q374	TC 9106	15.95	
2SD 471	.95	Q136	AN 612	4.95	Q155	TC 9109	8.95	Q172
2SD 600	.75	Q600	AN 7131 (AN7140)	2.25	Q97	TDA 1510	3.95	Q310
2SD 837	2.95	Q138	BA 403	1.30	Q28	TDA 1905	3.95	Q96
2SD 880	.95	Q137	BA 656	2.95	Q27	TDA 2002 (UPC2002)	1.95	Q24
2SK 33	.75	Q141	BA 6104	1.30	Q156	TDA 2003	1.95	Q262
2SK 34	1.25	Q142	CMOS 3089	1.75	Q908	TDA 2004	3.45	Q919
2SK 107	.95	Q143	CMOS 4008	1.50	Q920	TDA 2005	3.45	Q311
2SK 212	.45	Q144	CMOS 4011	.95	Q907	TL 072	.95	Q072
2N 3055	1.95	Q14	CMOS 4016	.75	Q922	TL 081	.95	Q081
BC 182	.25	Q10	CMOS 4020	.95	Q921	TL 489	2.95	Q29
BC 182L	.25	Q10a	CMOS 4049	.95	Q244	UA 723 (LM 723)	.75	Q313
BC 183L	.25	Q11	CMOS 4093	.95	Q906	ULN 2283B	3.95	Q61
			IR 2429	8.95	Q429	ULN 3718	3.95	Q61
			KIA 6227	4.95	Q627	UPC 1028	1.75	Q101

I.C.s

SCANNERS & ACCESSORIES

We stock a range of Scanners, Scanner Antennas and accessories.

Unfortunately we do not have a price list for these. See our website for more details.

CRYSTALS & FILTERS

Very limited stock of crystals now available. These can not be replaced once sold.

9.8275	10.695	14.430	14.580	15.81625	
16.610	16.620	16.630			
16.380	20.255 MHz		all	7.95	Q45
10.240	mHz Standard crystal			1.95	Q44
10.695	mHz Ceramic Filter			.95	Q406
10.695	Xtal Filter			2.95	Q42
455kHz	Ceramic Filter			.50	Q455

DIODES & REGULATORS

1N 4007	Protection Diode		.10	Q40
1N 4007		pack of 25	1.50	Q40A
3 Amp	Diode		.25	Q40C
P600D	Large (PSU etc.)	6amp	.45	Q40B
1N 4148	Signal Diode		.10	Q41
1N 60	Diode		.20	QN60
Bridge Rectifier	6A Square		1.25	BR1
Bridge Rectifier	25A Square		3.25	BR2
Bridge Rectifier	35A Square		3.45	BR3
LED Channel Display	(common +ve)		4.95	LDC
Blue LED	Freq display for S9 (3 digit)		11.95	S9F
Blue Channel Display	for Magnum S9		11.95	S9C
Red LED	(Standard) (5mm)		.20	Q196
Red LED	(Miniature) (3mm)		.20	Q197
Amber LED	(ultra bright) (3mm)		.20	U01
Green LED	(ultra bright) (3mm)		.20	U02
Bi-Colour LED	(5mm)		.50	Q19B
5.6V	Zenner		.20	QZ56
6.2V	Zenner		.20	QZ62
6.2V	Zenner (bulk)	pack of 20 for only	1.95	QZ63
6.8V	Zenner		.20	QZ68
6.8V	Zenner (bulk)	pack of 20 for only	1.95	QZ69
8.2V	Zenner		.20	QZ82
9.1V	Zenner		.20	QZ91
10V	Zenner		.20	QZ10
12V	Zenner		.20	QZ12
15V	Zenner		.20	QZ15

Voltage Regulators:

5V	7805		.95	QV5
8V	7808		.95	QV8
12V	7812		.95	Qv12
15V	7815		.95	Qv15
5V	78L05		.50	Qv05
8V	78L08		.50	Qv08

Nicads & Chargers

NiCad & NiMh Batteries:

AA	1300mAh (NiMh)	1.25	X22a
AA	2600mAh (NiMh)	1.95	X22e
AA	2800mAh (NiMh)	2.45	X22d
AAA	700mAh (NiMh)	1.25	Y25
AAA	1100mAh (NiMh)	1.50	Y25
C		2.25	X23
D		2.50	X24
PP3	(NiMh)	4.95	X25m
set of 10 AA	1300mAh	9.95	X26a
set of 10 AA	2600mAh (best buy)	16.95	X26c
set of 10 AA	2800mAh	18.95	X26c

We often have special offers on AA size batteries and other capacities to those listed.

Please phone to check.

Chargers:

Hand-Held Charger	(state plug size)	6.95	X21
9v Charger	(for scanners etc)	6.95	X21n
Charger	(4 AA size)	4.95	X27
NiMh / NiCad	AA/AAA Fast charger	9.95	X27s
Charger	(2 x PP3)	4.95	X27p
Charger	(4 x any size)	8.95	X28
Charger	(4 x AA, microprocessor control)	9.95	X28a
Charger	(4 any size, microprocessor)	13.95	X28m
Charger	for 4 x AA/AAA 240V/12V	10.95	X27d
Cig socket charger	for 2 x AA or AAA	7.95	X27c
Charger	for 8 x AA 12/240v	9.95	X27g
Ultrafast	AA/AAA 3000mA 12/240v	19.95	X27f

Replacement battery packs for most cordless phones & scanners also available.

PMR446

Large range of PMR446 hand-helds and accessories in stock.

SPARES & COMPONENTS

We stock a large variety of spares & components for CB's, but there are 1000's more which we can order for you within a few days.

We can supply audio amps for most makes of car stereos etc.

If you do not see what you need, please enquire and we will be pleased to quote you a price and advise on availability.

www.kcb.co.uk/shop2

Mail order guide

INTRODUCTION

The following notes are intended to help you get the best from our fast mail-order service. Please read them before ordering and I am sure you will find this a very easy and reliable way to buy.

TESTING

Wherever possible all goods are tested before despatch (the main exception being antennas) - you can be sure that everything possible is done to ensure that you do not receive faulty goods.

All our repairs are carried out **on-site** by **ourselves**, wherever possible. We have seen the shoddy workmanship of some suppliers and will not trust our repairs to anyone else.

DELIVERY

** Wherever possible all orders are despatched THE SAME DAY ! **

Orders paid by cheque may be held until the cheque clears (5 working days).

Small packages will be sent by FIRST CLASS post. Larger or heavier parcels will be sent by carrier.

*** There **must** be someone at the delivery address to sign for the delivery ***

** For next day carrier delivery please place your order **before 1pm**. **

CARRIAGE

All prices quoted are our normal shop prices - we do not charge any extra for our mail order goods. Prices consequently **do not** include **carriage**, details of the carriage charges are given on the order form.

We can send items by carrier which will usually mean they are delivered the next working day. This service is **only £7.95** for anywhere in the **mainland** UK, but there is a surcharge for Scotland highlands.

If you order several items you need only pay carriage for the largest/heaviest item.

PAYMENT

Payment must be sent with the order.

Payments by cheque or postal order should be made payable to "KNIGHTS".

Any orders enclosing CASH should be sent by SPECIAL DELIVERY (NOT recorded delivery!).

We accept telephone orders using ACCESS, VISA, and MAESTRO - no extra charge!

RETURNS

If you need to return any item for any reason please phone us first.

If an item is faulty when supplied new we will replace it at our expense, but you must arrange to get it back to us. The item must be returned promptly and complete.

If an item is found **not** to be faulty, you will be required to pay the cost of the return postage to you, and in addition you may be charged a testing fee (depending upon the time required to test the item).

If **in our opinion** a fault is due to neglect or misuse or our seals have been broken or tampered with, we may undertake the repair but you will be charged for both parts & labour.

YOUR RIGHT TO CANCEL (for mail order purchases only)

If you wish to cancel your order or return any items, you must inform us **in writing** as soon as possible, and within **7 days** of receipt of your goods at the latest.

The goods must be returned, at your own expense, within 10 days of their receipt.

A refund will be made within 28 days of the goods being returned.

All items returned must be **unused** and **complete** with **all original packing**. If any items are damaged or incomplete they will not be accepted.

IMPORTANT NOTES:

We hope to offer you a fast & reliable service - the following points will help you get the best out of our service:

1. Keep a copy of your order and note the date sent.
2. If you are on the phone please make sure you have given your number so that we can contact you if there are any problems with your order.
3. If you have not received your order within 10 days of ordering please phone us. Most orders will be delivered within 7 days unless out of stock.
4. We cannot send out any replacements until 21 days after despatch of your order.
5. If any items arrive damaged or incomplete please advise us immediately.
6. If we have not heard from you within 21 days of despatching your order we will assume all goods have arrived safely and no claims for loss or damage will be considered after this date.

Thank you for your custom.